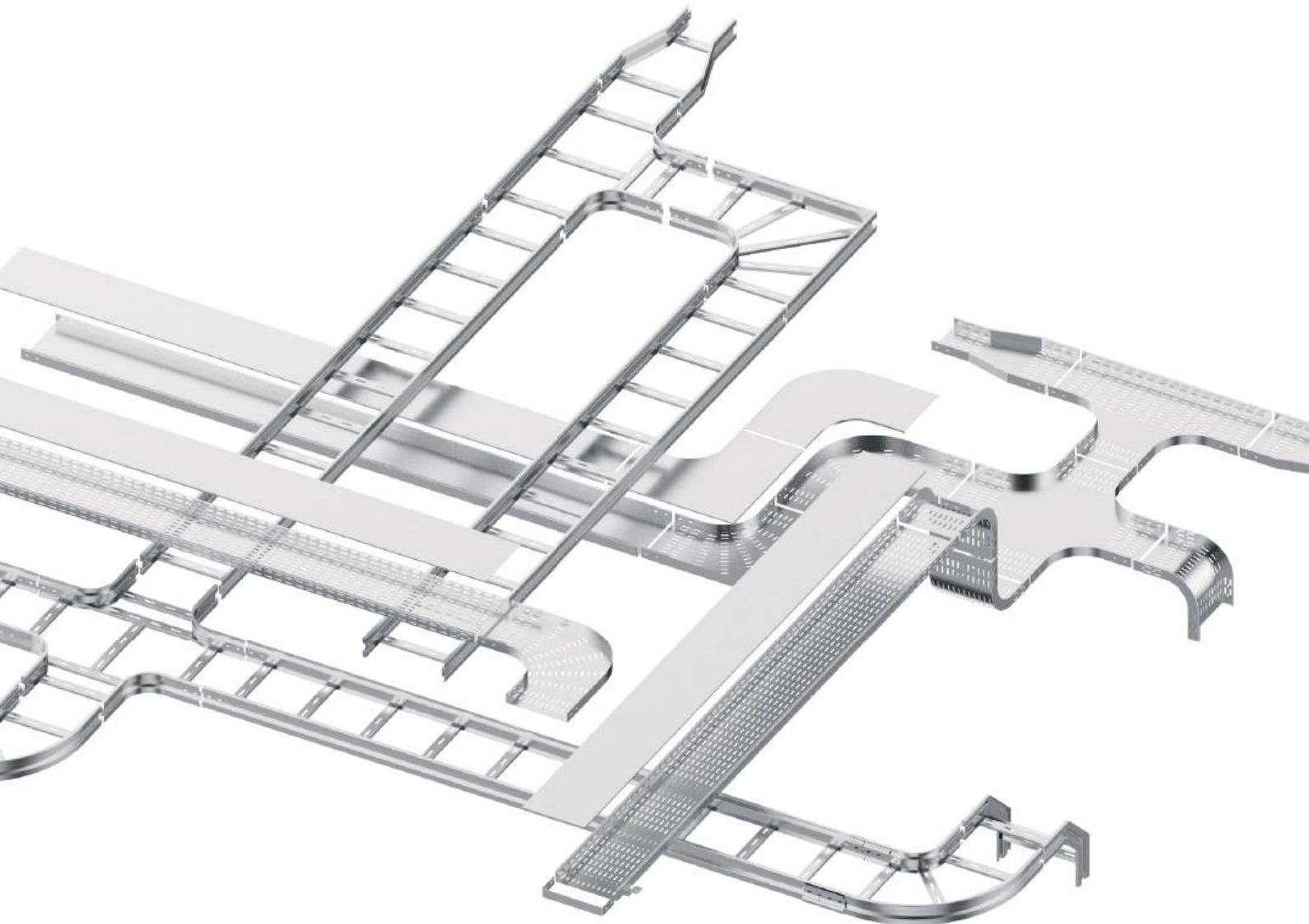


**trayTEK**®  
Your Cable Tray Solution

[www.traytek.co.id](http://www.traytek.co.id)

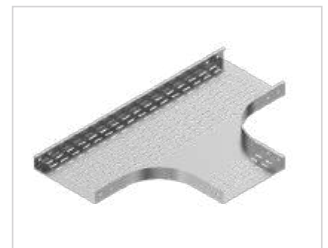
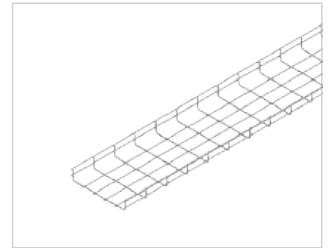
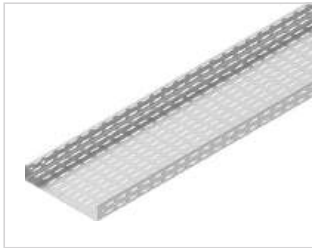


# PRICELIST 2026



[www.traytek.co.id](http://www.traytek.co.id)

# CONTENT



## TRAY

Tray Standard Type C	1
Tray Economy Type U	2
Horizontal Elbow Tray	3
Inside Riser Tray	4
Outside Riser Tray	5
Tee Tray	6
Cross Tray	7
Reducer Tray	8

## DUCT

Duct Standard Type C	9
Accessories Duct	10

## LADDER

Ladder Standard Type W	11
Ladder Economy Type U	12
Horizontal Elbow Ladder	13
Inside Riser Ladder	14
Outside Riser Ladder	15
Tee Ladder	16
Cross Ladder	17
Reducer Ladder	18

Tray Wiremesh	27
Cable Duct PVC	28
Strut Raceway Standard	29
Strut Raceway Economy	33

## ACCESSORIES

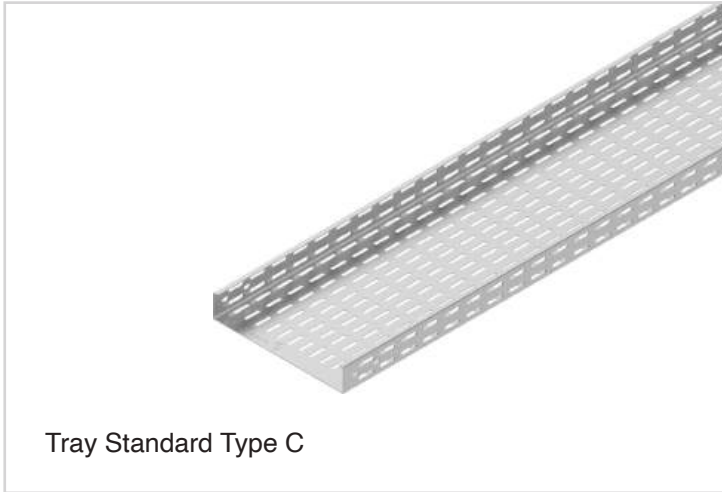
Jointing Tray Type C	19
Jointing Tray Type U	19
Jointing Ladder Type W	19
Jointing Ladder Type U	19
Bracket	20
Stand Plate	20
Angle Connector	20
Bracket Mounting	21
Wall Bracket	21
Hold Down Clip	21
Hanger Beam	22
Hanger Clevis	22
Hold Down Clamp	22
Cover Clip	23
Cover Clamp	23
Joggled Plate	24
End Plate	24
Raceway	25
Separator	25
Adjustable Splice Plate	25
Horizontal Hinge fish Plate	25
Vertical Hinge Fish Plate	25
Horizontal Branch S. Plate	26
Vertical Branch S. Plate	26
Drop Out	26
Accessories Strut Raceway Standard	30-32
Accessories Strut Raceway Economy	34-36

# TRAY Standard Type C

A Cable Tray Section which has no range direction

**Electro Galvanize & Hotdip Galvanize**

Unit : mm  
 Thickness : 1,8 mm  
 Standard Length : 3.000 mm  
 Material : Hot Rolled Mild Steel Sheet (SPHC)  
 (Other finishing, sizes & specification available on request)



Tray Standard type C

Flange Cover Tray

Type No	Width	Height	Electro	Hotdip
SAS-ST-0505	50	50	211.000	276.000
SAS-ST-1005	100	50	273.000	357.000
SAS-ST-1505	150	50	338.000	441.000
SAS-ST-2005	200	50	404.000	528.000
SAS-ST-2505	250	50	469.000	612.000
SAS-ST-3005	300	50	534.000	697.000
SAS-ST-4005	400	50	664.000	867.000
SAS-ST-5005	500	50	794.000	1.037.000
SAS-ST-6005	600	50	925.000	1.208.000
SAS-ST-8005	800	50	1.189.000	1.569.000
*SAS-ST-10005	1000	50	1.454.000	1.932.000

Type No	Width	Electro	Hotdip
SAS-FC-05	50	97.000	134.000
SAS-FC-10	100	162.000	224.000
SAS-FC-15	150	228.000	314.000
SAS-FC-20	200	294.000	404.000
SAS-FC-25	250	360.000	495.000
SAS-FC-30	300	425.000	585.000
SAS-FC-40	400	557.000	765.000
SAS-FC-50	500	687.000	947.000
SAS-FC-60	600	819.000	1.127.000
SAS-FC-80	800	1.082.000	1.489.000
*SAS-FC-100	1000	1.344.000	1.851.000

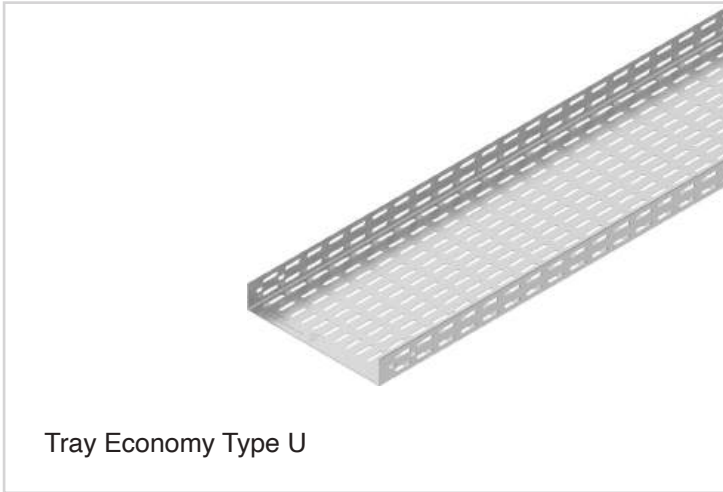
Type No	Width	Height	Electro	Hotdip
SAS-ST-1010	100	100	404.000	528.000
SAS-ST-1510	150	100	469.000	612.000
SAS-ST-2010	200	100	534.000	697.000
SAS-ST-2510	250	100	599.000	782.000
SAS-ST-3010	300	100	664.000	867.000
SAS-ST-4010	400	100	794.000	1.037.000
SAS-ST-5010	500	100	925.000	1.208.000
SAS-ST-6010	600	100	1.055.000	1.377.000
SAS-ST-8010	800	100	1.321.000	1.749.000
*SAS-ST-10010	1000	100	1.587.000	2.114.000

# TRAY Economy Type U

A Cable Tray Section which has no range direction

**Electro Galvanize & Hotdip Galvanize**

Unit : mm  
 Thickness : 1,8 mm  
 Standard Length : 3.000 mm  
 Material : Hot Rolled Mild Steel Sheet (SPHC)  
 (Other finishing, sizes & specification available on request)



Tray Economy type U

Flange Cover Tray

Type No	Width	Height	Electro	Hotdip
SAE-ST-0505	50	50	195.000	255.000
SAE-ST-1005	100	50	260.000	340.000
SAE-ST-1505	150	50	325.000	425.000
SAE-ST-2005	200	50	390.000	510.000
SAE-ST-2505	250	50	455.000	594.000
SAE-ST-3005	300	50	520.000	681.000
SAE-ST-4005	400	50	651.000	850.000
SAE-ST-5005	500	50	781.000	1.020.000
SAE-ST-6005	600	50	911.000	1.190.000
SAE-ST-8005	800	50	1.176.000	1.548.000
*SAE-ST-10005	1000	50	1.440.000	1.914.000

Type No	Width	Electro	Hotdip
SAS-FC-05	50	97.000	134.000
SAS-FC-10	100	162.000	224.000
SAS-FC-15	150	228.000	314.000
SAS-FC-20	200	294.000	404.000
SAS-FC-25	250	360.000	495.000
SAS-FC-30	300	425.000	585.000
SAS-FC-40	400	557.000	765.000
SAS-FC-50	500	687.000	947.000
SAS-FC-60	600	819.000	1.127.000
SAS-FC-80	800	1.082.000	1.489.000
*SAS-FC-100	1000	1.344.000	1.851.000

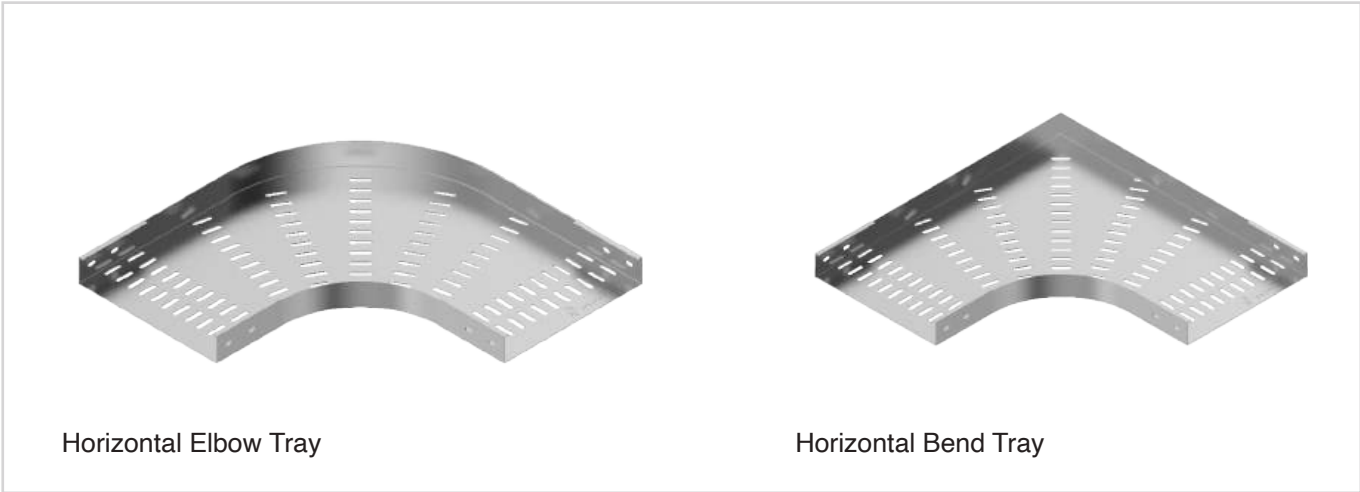
Type No	Width	Height	Electro	Hotdip
SAE-ST-1010	100	100	390.000	510.000
SAE-ST-1510	150	100	455.000	594.000
SAE-ST-2010	200	100	520.000	681.000
SAE-ST-2510	250	100	585.000	765.000
SAE-ST-3010	300	100	651.000	850.000
SAE-ST-4010	400	100	781.000	1.020.000
SAE-ST-5010	500	100	911.000	1.190.000
SAE-ST-6010	600	100	1.041.000	1.361.000
SAE-ST-8010	800	100	1.306.000	1.719.000
*SAE-ST-10010	1000	100	1.572.000	2.088.000

# Horizontal Elbow TRAY

A Cable Tray Section which changes direction in the same plane (left or right)

- Unit : mm
  - Thickness : 1,8 mm
  - Standard Radius : 300 mm
  - Bend Angle : 90 degree
  - Material : Hot Rolled Mild Steel Sheet (SPHC)
- (Other finishing, sizes & specification available on request)

## Electro Galvanize & Hotdip Galvanize



Horizontal Elbow / Bend Tray

Cover Horizontal Elbow

Type No	Width	Height	Electro	Hotdip
SAS-HE-0505	50	50	104.000	132.000
SAS-HE-1005	100	50	128.000	166.000
SAS-HE-1505	150	50	156.000	204.000
SAS-HE-2005	200	50	185.000	247.000
SAS-HE-2505	250	50	220.000	294.000
SAS-HE-3005	300	50	255.000	344.000
SAS-HE-4005	400	50	338.000	458.000
SAS-HE-5005	500	50	432.000	588.000
SAS-HE-6005	600	50	537.000	735.000
SAS-HE-8005	800	50	783.000	1.077.000
SAS-HE-10005	1000	50	1.077.000	1.485.000

Type No	Width	Electro	Hotdip
SAS-HEC-05	50	75.000	93.000
SAS-HEC-10	100	98.000	125.000
SAS-HEC-15	150	124.000	161.000
SAS-HEC-20	200	152.000	200.000
SAS-HEC-25	250	184.000	245.000
SAS-HEC-30	300	219.000	292.000
SAS-HEC-40	400	296.000	401.000
SAS-HEC-50	500	387.000	526.000
SAS-HEC-60	600	489.000	668.000
SAS-HEC-80	800	727.000	1.001.000
SAS-HEC-100	1000	1.014.000	1.398.000

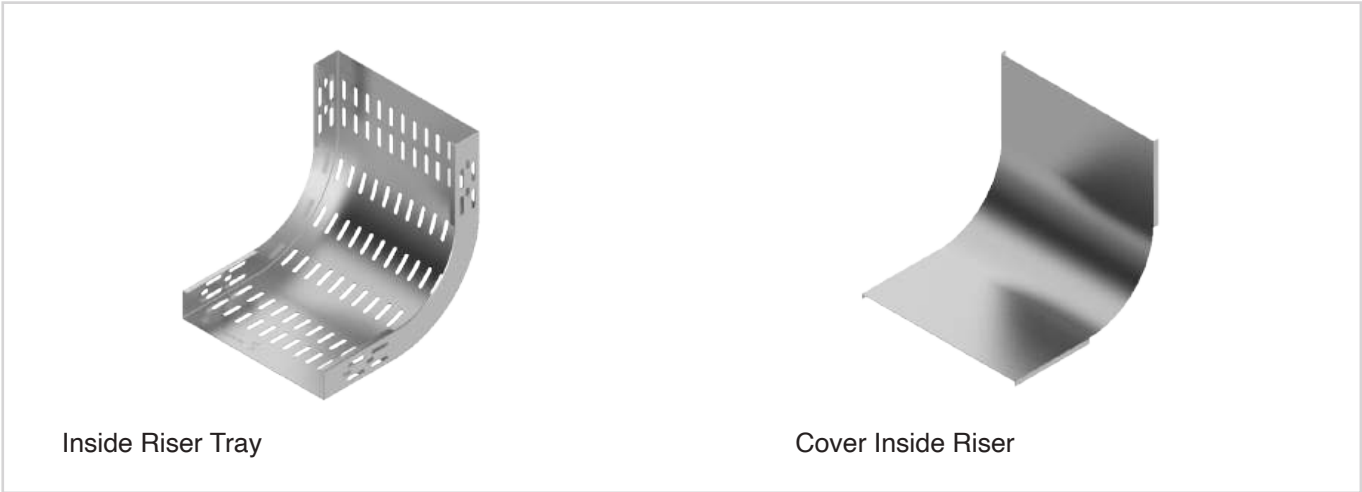
Type No	Width	Height	Electro	Hotdip
SAS-HE-1010	100	100	164.000	216.000
SAS-HE-1510	150	100	194.000	257.000
SAS-HE-2010	200	100	226.000	303.000
SAS-HE-2510	250	100	262.000	353.000
SAS-HE-3010	300	100	301.000	408.000
SAS-HE-4010	400	100	387.000	527.000
SAS-HE-5010	500	100	486.000	664.000
SAS-HE-6010	600	100	595.000	816.000
SAS-HE-8010	800	100	852.000	1.172.000
SAS-HE-10010	1000	100	1.154.000	1.594.000

# Inside Riser TRAY

An inside vertical elbow changes direction upward from the horizontal plane

- Unit : mm
  - Thickness : 1,8 mm
  - Standard Radius : 300 mm
  - Bend Angle : 90 degree
  - Material : Hot Rolled Mild Steel Sheet (SPHC)
- (Other finishing, sizes & specification available on request)

## Electro Galvanize & Hotdip Galvanize



Inside Riser Tray

Cover Inside Riser

Type No	Width	Height	Electro	Hotdip
SAS-IR-0505	50	50	83.000	110.000
SAS-IR-1005	100	50	100.000	135.000
SAS-IR-1505	150	50	118.000	161.000
SAS-IR-2005	200	50	136.000	186.000
SAS-IR-2505	250	50	154.000	211.000
SAS-IR-3005	300	50	173.000	237.000
SAS-IR-4005	400	50	209.000	287.000
SAS-IR-5005	500	50	247.000	338.000
SAS-IR-6005	600	50	283.000	389.000
SAS-IR-8005	800	50	356.000	490.000
*SAS-IR-10005	1000	50	429.000	592.000

Type No	Width	Electro	Hotdip
SAS-IRC-05	50	24.000	33.000
SAS-IRC-10	100	42.000	59.000
SAS-IRC-15	150	59.000	82.000
SAS-IRC-20	200	76.000	105.000
SAS-IRC-25	250	93.000	128.000
SAS-IRC-30	300	108.000	151.000
SAS-IRC-40	400	142.000	197.000
SAS-IRC-50	500	175.000	243.000
SAS-IRC-60	600	209.000	290.000
SAS-IRC-80	800	275.000	382.000
SAS-IRC-100	1000	342.000	474.000

Type No	Width	Height	Electro	Hotdip
SAS-IR-1010	100	100	188.000	250.000
SAS-IR-1510	150	100	209.000	280.000
SAS-IR-2010	200	100	230.000	309.000
SAS-IR-2510	250	100	251.000	338.000
SAS-IR-3010	300	100	272.000	367.000
SAS-IR-4010	400	100	314.000	425.000
SAS-IR-5010	500	100	356.000	485.000
SAS-IR-6010	600	100	398.000	543.000
SAS-IR-8010	800	100	482.000	660.000
SAS-IR-10010	1000	100	567.000	778.000

# Outside Riser TRAY

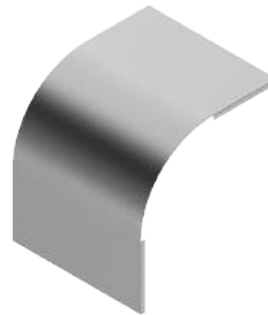
An outside vertical elbow changes direction downward from the horizontal plane

**Electro Galvanize & Hotdip Galvanize**

Unit : mm  
 Thickness : 1,8 mm  
 Standard Radius : 300 mm  
 Bend Angle : 90 degree  
 Material : Hot Rolled Mild Steel Sheet (SPHC)  
 (Other finishing, sizes & specification available on request)



Outside Riser Tray



Cover Outside Riser

Outside Riser Tray

Type No	Width	Height	Electro	Hotdip
SAS-OR-0505	50	50	76.000	102.000
SAS-OR-1005	100	50	91.000	124.000
SAS-OR-1505	150	50	107.000	147.000
SAS-OR-2005	200	50	124.000	169.000
SAS-OR-2505	250	50	139.000	190.000
SAS-OR-3005	300	50	156.000	214.000
SAS-OR-4005	400	50	188.000	258.000
SAS-OR-5005	500	50	220.000	302.000
SAS-OR-6005	600	50	251.000	347.000
SAS-OR-8005	800	50	315.000	436.000
SAS-OR-10005	1000	50	380.000	526.000

Cover Outside Riser

Type No	Width	Electro	Hotdip
SAS-ORC-05	50	28.000	38.000
SAS-ORC-10	100	54.000	74.000
SAS-ORC-15	150	75.000	102.000
SAS-ORC-20	200	94.000	132.000
SAS-ORC-25	250	115.000	161.000
SAS-ORC-30	300	136.000	189.000
SAS-ORC-40	400	178.000	247.000
SAS-ORC-50	500	220.000	306.000
SAS-ORC-60	600	262.000	364.000
SAS-ORC-80	800	346.000	481.000
SAS-ORC-100	1000	430.000	596.000

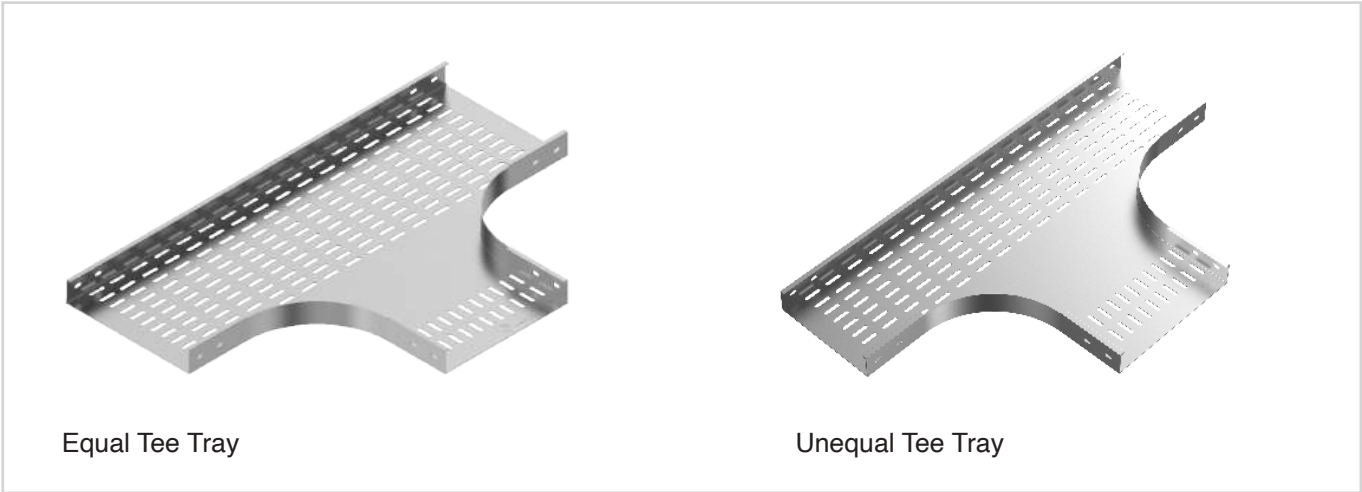
Type No	Width	Height	Electro	Hotdip
SAS-OR-1010	100	100	159.000	215.000
SAS-OR-1510	150	100	175.000	238.000
SAS-OR-2010	200	100	191.000	260.000
SAS-OR-2510	250	100	208.000	281.000
SAS-OR-3010	300	100	223.000	304.000
SAS-OR-4010	400	100	255.000	349.000
SAS-OR-5010	500	100	287.000	394.000
SAS-OR-6010	600	100	320.000	437.000
SAS-OR-8010	800	100	383.000	527.000
SAS-OR-10010	1000	100	447.000	617.000

# Tee TRAY

Suitable for joining cable tray section in three direction at 90 degree intervals in the same plane

## Electro Galvanize & Hotdip Galvanize

- Unit : mm
  - Thickness : 1,8 mm
  - Standard Radius : 300 mm
  - Bend Angle : 90 degree
  - Material : Hot Rolled Mild Steel Sheet (SPHC)
- (Other finishing, sizes & specification available on request)



Equal / Unequal Tee Tray

Cover Tee / Unequal Tee

Type No	Width	Height	Electro	Hotdip
SAS-HT-0505	50	50	180.000	227.000
SAS-HT-1005	100	50	212.000	273.000
SAS-HT-1505	150	50	248.000	322.000
SAS-HT-2005	200	50	286.000	376.000
SAS-HT-2505	250	50	328.000	433.000
SAS-HT-3005	300	50	373.000	496.000
SAS-HT-4005	400	50	471.000	632.000
SAS-HT-5005	500	50	580.000	785.000
SAS-HT-6005	600	50	702.000	953.000
SAS-HT-8005	800	50	980.000	1.341.000
SAS-HT-10005	1000	50	1.307.000	1.795.000

Type No	Width	Electro	Hotdip
SAS-HTC-05	50	136.000	166.000
SAS-HTC-10	100	167.000	209.000
SAS-HTC-15	150	202.000	258.000
SAS-HTC-20	200	238.000	310.000
SAS-HTC-25	250	279.000	366.000
SAS-HTC-30	300	322.000	427.000
SAS-HTC-40	400	418.000	558.000
SAS-HTC-50	500	525.000	708.000
SAS-HTC-60	600	644.000	874.000
SAS-HTC-80	800	919.000	1.256.000
SAS-HTC-100	1000	1.241.000	1.702.000

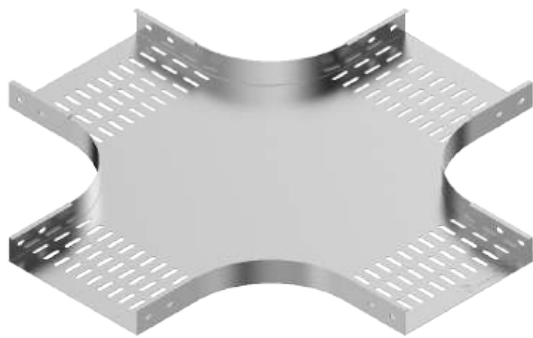
Type No	Width	Height	Electro	Hotdip
SAS-HT-1010	100	100	264.000	345.000
SAS-HT-1510	150	100	301.000	397.000
SAS-HT-2010	200	100	342.000	452.000
SAS-HT-2510	250	100	384.000	512.000
SAS-HT-3010	300	100	430.000	576.000
SAS-HT-4010	400	100	531.000	716.000
SAS-HT-5010	500	100	644.000	873.000
SAS-HT-6010	600	100	769.000	1.047.000
SAS-HT-8010	800	100	1.053.000	1.443.000
SAS-HT-10010	1000	100	1.387.000	1.905.000

# Cross TRAY

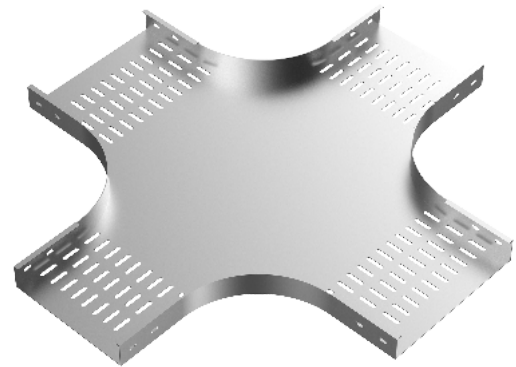
Suitable for joining cable tray section in four direction at 90 degree intervals in the same plane

**Electro Galvanize & Hotdip Galvanize**

Unit : mm  
 Thickness : 1,8 mm  
 Standard Radius : 300 mm  
 Bend Angle : 90 degree  
 Material : Hot Rolled Mild Steel Sheet (SPHC)  
 (Other finishing, sizes & specification available on request)



Equal Cross Tray



Unequal Cross Tray

Equal / Unequal Cross Tray

Type No	Width	Height	Electro	Hotdip
SAS-HC-0505	50	50	300.000	374.000
SAS-HC-1005	100	50	341.000	429.000
SAS-HC-1505	150	50	384.000	489.000
SAS-HC-2005	200	50	429.000	553.000
SAS-HC-2505	250	50	478.000	621.000
SAS-HC-3005	300	50	530.000	693.000
SAS-HC-4005	400	50	643.000	850.000
SAS-HC-5005	500	50	768.000	1.022.000
SAS-HC-6005	600	50	905.000	1.212.000
SAS-HC-8005	800	50	1.213.000	1.641.000
SAS-HC-10005	1000	50	1.568.000	2.137.000

Cover Equal / Unequal Cross

Type No	Width	Electro	Hotdip
SAS-HCC-05	50	243.000	294.000
SAS-HCC-10	100	283.000	349.000
SAS-HCC-15	150	327.000	408.000
SAS-HCC-20	200	371.000	473.000
SAS-HCC-25	250	420.000	541.000
SAS-HCC-30	300	474.000	613.000
SAS-HCC-40	400	586.000	770.000
SAS-HCC-50	500	710.000	944.000
SAS-HCC-60	600	847.000	1.134.000
SAS-HCC-80	800	1.155.000	1.563.000
SAS-HCC-100	1000	1.511.000	2.058.000

Type No	Width	Height	Electro	Hotdip
SAS-HC-1010	100	100	402.000	516.000
SAS-HC-1510	150	100	467.000	649.000
SAS-HC-2010	200	100	513.000	713.000
SAS-HC-2510	250	100	562.000	781.000
SAS-HC-3010	300	100	614.000	853.000
SAS-HC-4010	400	100	727.000	1.010.000
SAS-HC-5010	500	100	852.000	1.184.000
SAS-HC-6010	600	100	987.000	1.373.000
SAS-HC-8010	800	100	1.297.000	1.803.000
SAS-HC-10010	1000	100	1.652.000	2.297.000

# Reducer TRAY

Suitable for joining cable tray section of different width in the same plane

Unit : mm  
 Thickness : 1,8 mm  
 Standard Length : 600 mm  
 Material : Hot Rolled Mild Steel Sheet (SPHC)  
 (Other finishing, sizes & specification available on request)

## Electro Galvanize & Hotdip Galvanize



Straight / Left / Right Reducer

Cover Reducer

Type No	Width	Height	Electro	Hotdip
SAS-SR-10-__-05	100	50	75.000	104.000
SAS-SR-15-__-05	150	50	93.000	129.000
SAS-SR-20-__-05	200	50	111.000	154.000
SAS-SR-25-__-05	250	50	129.000	180.000
SAS-SR-30-__-05	300	50	147.000	205.000
SAS-SR-40-__-05	400	50	184.000	254.000
SAS-SR-50-__-05	500	50	220.000	306.000
SAS-SR-60-__-05	600	50	257.000	356.000
SAS-SR-80-__-05	800	50	332.000	461.000
SAS-SR-100-__-05	1000	50	405.000	564.000

Type No	Width	Electro	Hotdip
SAS-SRC-10-__	100	47.000	66.000
SAS-SRC-15-__	150	65.000	90.000
SAS-SRC-20-__	200	83.000	114.000
SAS-SRC-25-__	250	100.000	139.000
SAS-SRC-30-__	300	118.000	165.000
SAS-SRC-40-__	400	154.000	214.000
SAS-SRC-50-__	500	189.000	262.000
SAS-SRC-60-__	600	224.000	313.000
SAS-SRC-80-__	800	296.000	412.000
SAS-SRC-100-__	1000	367.000	511.000

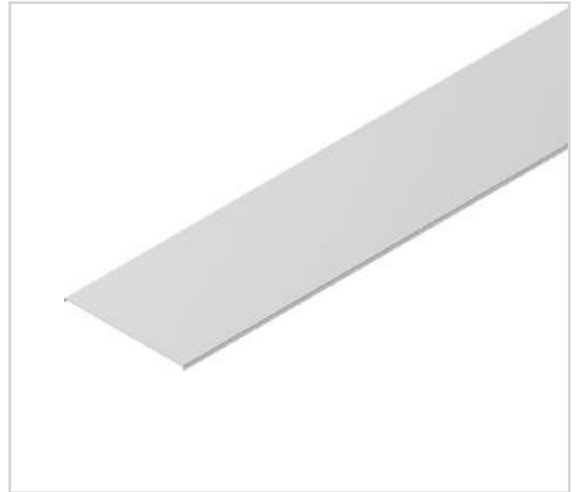
Type No	Width	Height	Electro	Hotdip
SAS-SR-15-__-10	150	100	129.000	180.000
SAS-SR-20-__-10	200	100	147.000	204.000
SAS-SR-25-__-10	250	100	166.000	230.000
SAS-SR-30-__-10	300	100	185.000	256.000
SAS-SR-40-__-10	400	100	220.000	306.000
SAS-SR-50-__-10	500	100	258.000	359.000
SAS-SR-60-__-10	600	100	294.000	409.000
SAS-SR-80-__-10	800	100	373.000	519.000
SAS-SR-100-__-10	1000	100	450.000	625.000

# Duct Standard Type C

A cable tray section which has no range direction

**Electro Galvanize & Hotdip Galvanize**

Unit : mm  
 Thickness : 1,8 mm  
 Standard Radius : 300 mm  
 Material : Hot Rolled Mild Steel Sheet (SPHC)  
 (Other finishing, sizes & specification available on request)



Duct Standard type C

Flange Cover Duct

Type No	Width	Height	Electro	Hotdip
SAS-SD-0505	50	50	215.000	296.000
SAS-SD-1005	100	50	279.000	384.000
SAS-SD-1505	150	50	345.000	475.000
SAS-SD-2005	200	50	412.000	566.000
SAS-SD-2505	250	50	478.000	657.000
SAS-SD-3005	300	50	545.000	749.000
SAS-SD-4005	400	50	678.000	931.000
SAS-SD-5005	500	50	809.000	1.115.000
SAS-SD-6005	600	50	942.000	1.298.000
SAS-SD-8005	800	50	1.208.000	1.663.000
*SAS-SD-10005	1000	50	1.474.000	2.028.000

Type No	Width	Electro	Hotdip
SAS-FC-05	50	97.000	134.000
SAS-FC-10	100	162.000	224.000
SAS-FC-15	150	228.000	314.000
SAS-FC-20	200	294.000	404.000
SAS-FC-25	250	360.000	495.000
SAS-FC-30	300	425.000	585.000
SAS-FC-40	400	557.000	765.000
SAS-FC-50	500	687.000	947.000
SAS-FC-60	600	819.000	1.127.000
SAS-FC-80	800	1.082.000	1.489.000
*SAS-FC-100	1000	1.344.000	1.851.000

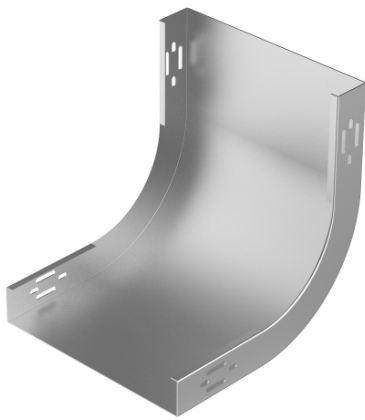
Type No	Width	Height	Electro	Hotdip
SAS-SD-1010	100	100	412.000	566.000
SAS-SD-1510	150	100	478.000	657.000
SAS-SD-2010	200	100	545.000	749.000
SAS-SD-2510	250	100	611.000	840.000
SAS-SD-3010	300	100	678.000	931.000
SAS-SD-4010	400	100	809.000	1.115.000
SAS-SD-5010	500	100	942.000	1.298.000
SAS-SD-6010	600	100	1.075.000	1.480.000
SAS-SD-8010	800	100	1.341.000	1.845.000
*SAS-SD-10010	1000	100	1.607.000	2.212.000

# Accessories Duct

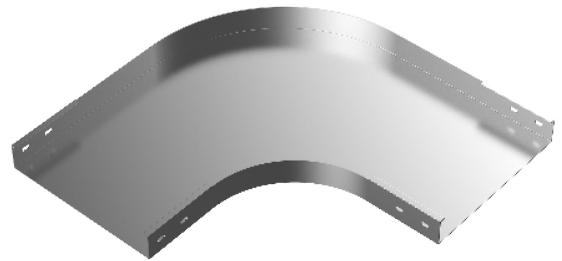
Suitable for joining cable duct section

**Electro Galvanize & Hotdip Galvanize**

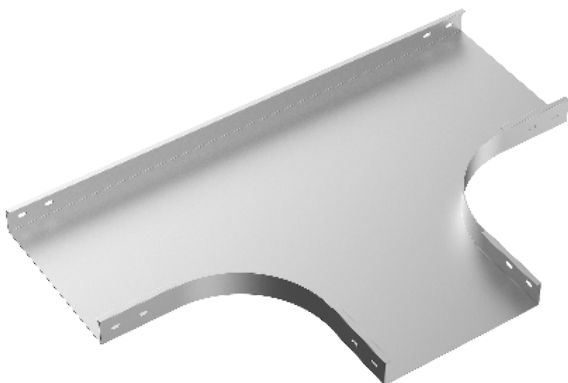
Unit : mm  
 Thickness : 1,8 mm  
 Standard Radius : 300 mm  
 Material : Hot Rolled Mild Steel Sheet (SPHC)  
 (Other finishing, sizes & specification available on request)



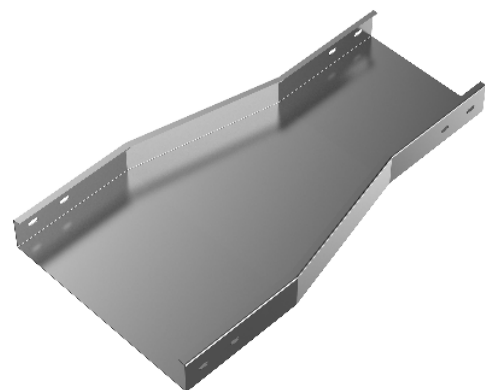
IR Duct



Elbow Duct



Tee Duct



Reducer Duct

# Ladder Standard Type W

A cable tray section which has no range direction

**Electro Galvanize & Hotdip Galvanize**

Unit : mm  
 Thickness : 1,8 mm  
 Standard Length : 3.000 mm  
 Material : Hot Rolled Mild Steel Sheet (SPHC)  
 (Other finishing, sizes & specification available on request)



Ladder Standard (type W)

Type No	Width	Height	Electro	Hotdip
SAS-SL-10	100	100	444.000	612.000
SAS-SL-15	150	100	463.000	637.000
SAS-SL-20	200	100	481.000	663.000
SAS-SL-30	300	100	518.000	713.000
SAS-SL-40	400	100	554.000	763.000
SAS-SL-50	500	100	591.000	813.000
SAS-SL-60	600	100	627.000	863.000
SAS-SL-80	800	100	802.000	1.103.000
SAS-SL-100	1000	100	887.000	1.217.000

Flange Cover Ladder

Type No	Width	Electro	Hotdip
SAS-FC-10	100	162.000	224.000
SAS-FC-15	150	228.000	314.000
SAS-FC-20	200	294.000	404.000
SAS-FC-30	300	425.000	585.000
SAS-FC-40	400	557.000	765.000
SAS-FC-50	500	687.000	947.000
SAS-FC-60	600	819.000	1.127.000
SAS-FC-80	800	1.082.000	1.489.000
SAS-FC-1000	1000	1.344.000	1.851.000

# Ladder Economy Type U

A cable tray section which has no range direction

**Electro Galvanize & Hotdip Galvanize**

Unit : mm  
 Thickness : 1,8 mm  
 Standard Length : 3.000 mm  
 Material : Hot Rolled Mild Steel Sheet (SPHC)  
 (Other finishing, sizes & specification available on request)



Ladder Economy (type U)

Flange Cover Tray

Type No	Width	Height	Electro	Hotdip
SAE-SL-1005	100	50	253.000	349.000
SAE-SL-1505	150	50	272.000	373.000
SAE-SL-2005	200	50	290.000	399.000
SAE-SL-3005	300	50	326.000	449.000
SAE-SL-4005	400	50	363.000	499.000
SAE-SL-5005	500	50	399.000	549.000
SAE-SL-6005	600	50	436.000	600.000
SAE-SL-8005	800	50	583.000	801.000
*SAE-SL-10005	1000	50	667.000	916.000

Type No	Width	Electro	Hotdip
SAS-FC-10	100	162.000	224.000
SAS-FC-15	150	228.000	314.000
SAS-FC-20	200	294.000	404.000
SAS-FC-30	300	425.000	585.000
SAS-FC-40	400	557.000	765.000
SAS-FC-50	500	687.000	947.000
SAS-FC-60	600	819.000	1.127.000
SAS-FC-80	800	1.082.000	1.489.000
*SAS-FC-100	1000	1.344.000	1.851.000

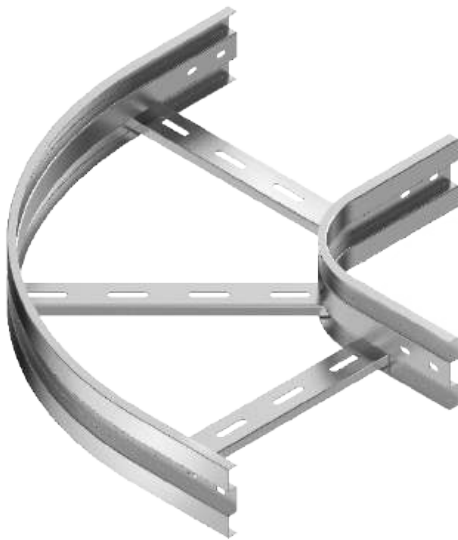
Type No	Width	Height	Electro	Hotdip
SAE-SL-1010	100	100	363.000	499.000
SAE-SL-1510	150	100	380.000	524.000
SAE-SL-2010	200	100	399.000	549.000
SAE-SL-3010	300	100	436.000	600.000
SAE-SL-4010	400	100	471.000	650.000
SAE-SL-5010	500	100	508.000	700.000
SAE-SL-6010	600	100	545.000	750.000
SAE-SL-8010	800	100	709.000	973.000
*SAE-SL-10010	1000	100	793.000	1.088.000

# Horizontal Elbow LADDER

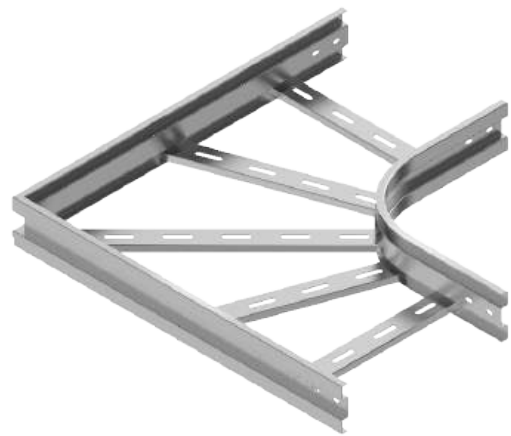
A cable tray section which changes direction in the same plane (left or right)

**Electro Galvanize & Hotdip Galvanize**

Unit : mm  
 Thickness : 1,8 mm  
 Standard Radius : 300 mm  
 Bend Angle : 90 Degree  
 Material : Hot Rolled Mild Steel Sheet (SPHC)  
 (Other finishing, sizes & specification available on request)



Horizontal Elbow Ladder



Horizontal Bend Ladder

## Horizontal Elbow / Bend Ladder

Type No	Width	Height	Electro	Hotdip
SAS-L-HE-1010	100	100	122.000	173.000
SAS-L-HE-1510	150	100	138.000	193.000
SAS-L-HE-2010	200	100	152.000	212.000
SAS-L-HE-3010	300	100	181.000	254.000
SAS-L-HE-4010	400	100	227.000	318.000
SAS-L-HE-5010	500	100	261.000	366.000
SAS-L-HE-6010	600	100	321.000	452.000
SAS-L-HE-8010	800	100	514.000	691.000
SAS-L-HE-10010	1000	100	618.000	832.000

## Cover Horizontal Elbow

Type No	Width	Electro	Hotdip
SAS-HEC-10	100	98.000	125.000
SAS-HEC-15	150	124.000	161.000
SAS-HEC-20	200	152.000	200.000
SAS-HEC-30	300	219.000	292.000
SAS-HEC-40	400	296.000	401.000
SAS-HEC-50	500	387.000	526.000
SAS-HEC-60	600	489.000	668.000
SAS-HEC-80	800	727.000	1.001.000
SAS-HEC-100	1000	1.014.000	1.398.000

Note : Horizontal Elbow Ladder available up to width = 600 mm

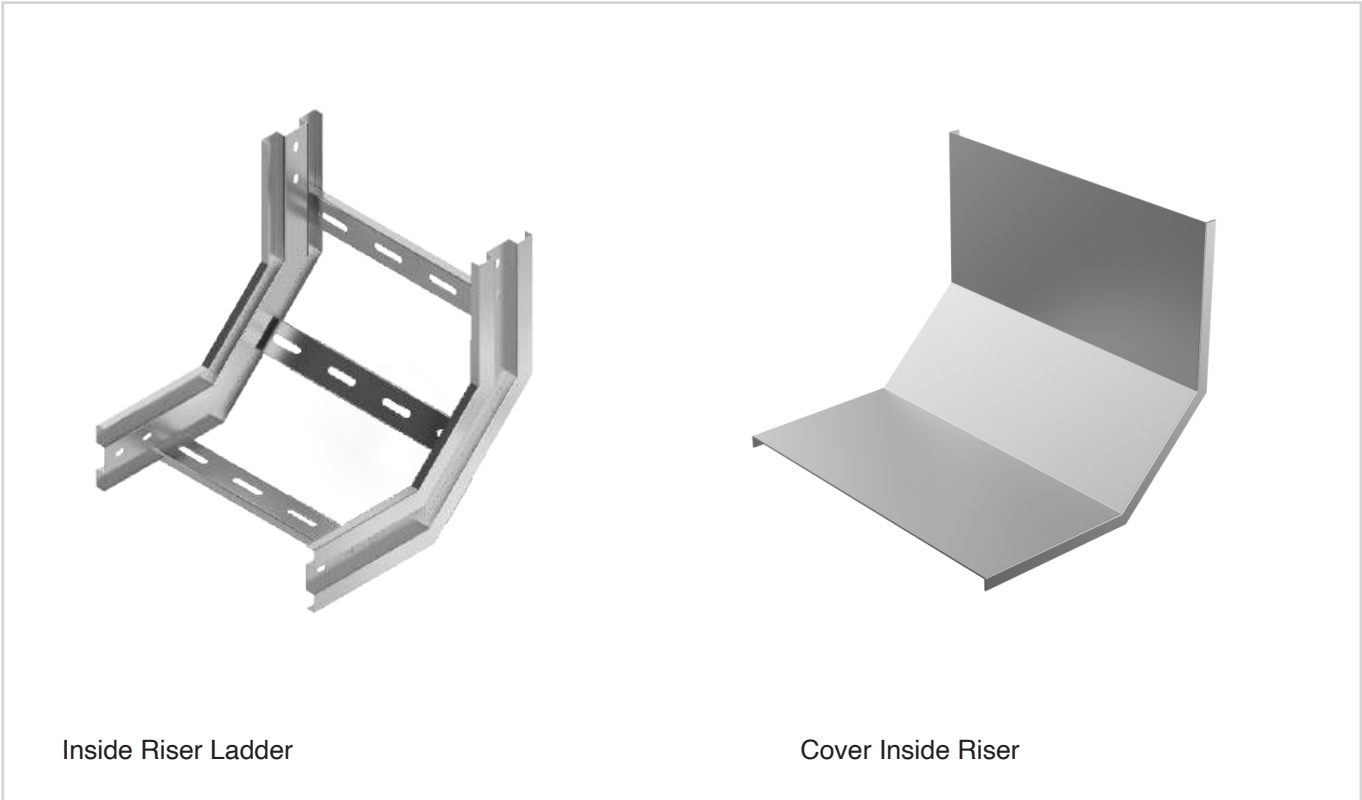
Horizontal Bend Ladder available to all width

# Inside Riser LADDER

An inside vertical elbow changes direction upward from the horizontal plane

**Electro Galvanize & Hotdip Galvanize**

Unit : mm  
 Thickness : 1,8 mm  
 Standard Radius : 300 mm  
 Bend Angle : 90 Degree  
 Material : Hot Rolled Mild Steel Sheet (SPHC)  
 (Other finishing, sizes & specification available on request)



Inside Riser Ladder

Cover Inside Riser

Inside Riser Ladder

Type No	Width	Height	Electro	Hotdip
SAS-L-IR-1010	100	100	145.000	203.000
SAS-L-IR-1510	150	100	152.000	214.000
SAS-L-IR-2010	200	100	159.000	223.000
SAS-L-IR-3010	300	100	173.000	243.000
SAS-L-IR-4010	400	100	188.000	264.000
SAS-L-IR-5010	500	100	202.000	283.000
SAS-L-IR-6010	600	100	216.000	303.000
SAS-L-IR-8010	800	100	279.000	376.000
SAS-L-IR-10010	1000	100	312.000	419.000

Cover Inside Riser

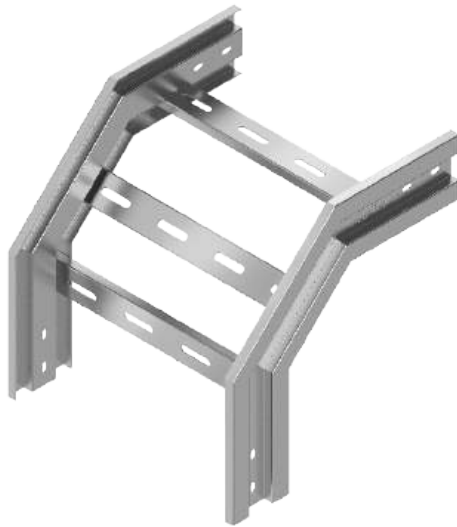
Type No	Width	Electro	Hotdip
SAS-IRC-10	100	42.000	59.000
SAS-IRC-15	150	59.000	82.000
SAS-IRC-20	200	76.000	105.000
SAS-IRC-30	300	108.000	151.000
SAS-IRC-40	400	142.000	197.000
SAS-IRC-50	500	175.000	243.000
SAS-IRC-60	600	209.000	290.000
SAS-IRC-80	800	275.000	382.000
SAS-IRC-100	1000	342.000	474.000

# Outside Riser LADDER

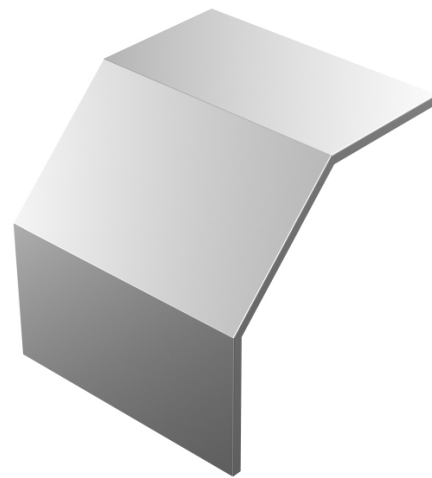
An outside vertical elbow changes direction downward from the horizontal plane

**Electro Galvanize & Hotdip Galvanize**

Unit : mm  
 Thickness : 1,8 mm  
 Standard Radius : 300 mm  
 Bend Angle : 90 Degree  
 Material : Hot Rolled Mild Steel Sheet (SPHC)  
 (Other finishing, sizes & specification available on request)



Outside Riser Ladder



Cover Outside Riser

Outside Riser Ladder

Type No	Width	Height	Electro	Hotdip
SAS-L-OR-1010	100	100	145.000	203.000
SAS-L-OR-1510	150	100	152.000	214.000
SAS-L-OR-2010	200	100	159.000	223.000
SAS-L-OR-3010	300	100	173.000	243.000
SAS-L-OR-4010	400	100	188.000	264.000
SAS-L-OR-5010	500	100	202.000	283.000
SAS-L-OR-6010	600	100	216.000	303.000
SAS-L-OR-8010	800	100	279.000	376.000
SAS-L-OR-10010	1000	100	312.000	419.000

Cover Outside Riser

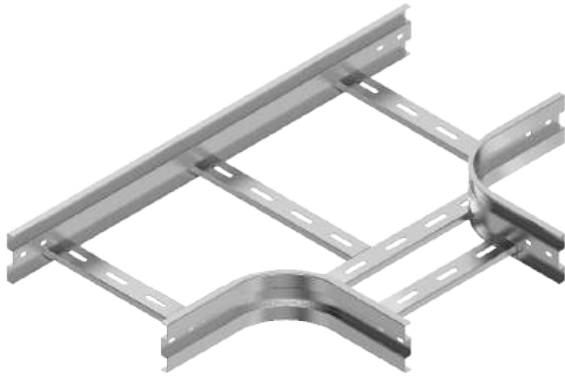
Type No	Width	Electro	Hotdip
SAS-ORC-10	100	54.000	74.000
SAS-ORC-15	150	75.000	102.000
SAS-ORC-20	200	94.000	132.000
SAS-ORC-30	300	136.000	189.000
SAS-ORC-40	400	178.000	247.000
SAS-ORC-50	500	220.000	306.000
SAS-ORC-60	600	262.000	364.000
SAS-ORC-80	800	346.000	481.000
SAS-ORC-100	1000	430.000	596.000

## Tee LADDER

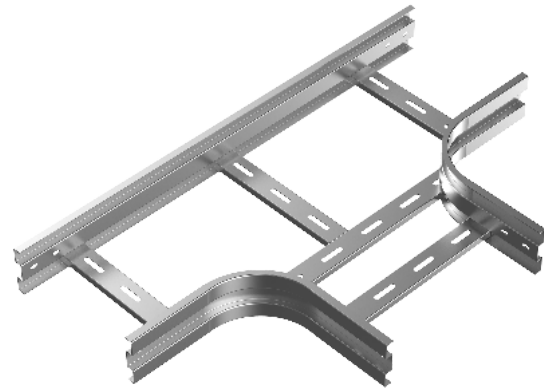
A cable tray section which suitable for joining cable tray section in three direction at 90 degree intervals in the same plane

**Electro Galvanize & Hotdip Galvanize**

Unit : mm  
 Thickness : 1,8 mm  
 Standard Radius : 300 mm  
 Bend Angle : 90 Degree  
 Material : Hot Rolled Mild Steel Sheet (SPHC)  
 (Other finishing, sizes & specification available on request)



Equal Tee Ladder



Unequal Tee Ladder

### Equal / Unequal Tee Ladder

Type No	Width	Height	Electro	Hotdip
SAS-L-HT-1010	100	100	194.000	273.000
SAS-L-HT-1510	150	100	210.000	296.000
SAS-L-HT-2010	200	100	227.000	318.000
SAS-L-HT-3010	300	100	259.000	364.000
SAS-L-HT-4010	400	100	292.000	410.000
SAS-L-HT-5010	500	100	348.000	489.000
SAS-L-HT-6010	600	100	385.000	542.000
SAS-L-HT-8010	800	100	525.000	709.000
SAS-L-HT-10010	1000	100	612.000	824.000

### Cover Tee / Unequal Tee

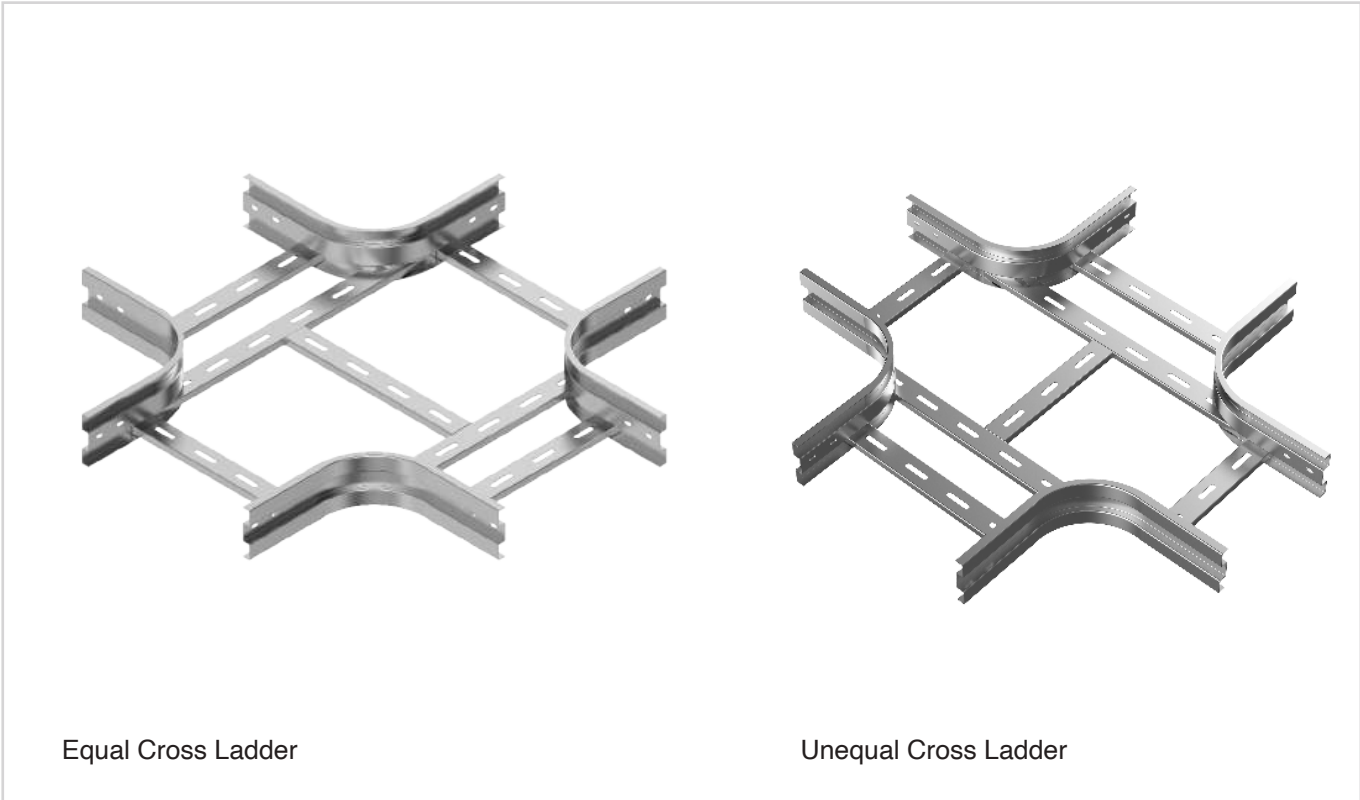
Type No	Width	Electro	Hotdip
SAS-HTC-10	100	167.000	209.000
SAS-HTC-15	150	202.000	258.000
SAS-HTC-20	200	238.000	310.000
SAS-HTC-30	300	322.000	427.000
SAS-HTC-40	400	418.000	558.000
SAS-HTC-50	500	525.000	708.000
SAS-HTC-60	600	644.000	874.000
SAS-HTC-80	800	919.000	1.256.000
SAS-HTC-100	1000	1.241.000	1.702.000

# Cross LADDER

A cable tray section which Suitable for joining cable tray section in four direction at 90 degree intervals in the same plane

**Electro Galvanize & Hotdip Galvanize**

- Unit : mm
  - Thickness : 1,8 mm
  - Standard Radius : 300 mm
  - Bend Angle : 90 Degree
  - Material : Hot Rolled Mild Steel Sheet (SPHC)
- (Other finishing, sizes & specification available on request)



Equal Cross Ladder

Unequal Cross Ladder

### Equal / Unequal Cross Ladder

Type No	Width	Height	Electro	Hotdip
SAS-L-HC-1010	100	100	254.000	356.000
SAS-L-HC-1510	150	100	272.000	383.000
SAS-L-HC-2010	200	100	292.000	409.000
SAS-L-HC-3010	300	100	329.000	463.000
SAS-L-HC-4010	400	100	367.000	516.000
SAS-L-HC-5010	500	100	405.000	570.000
SAS-L-HC-6010	600	100	443.000	623.000
SAS-L-HC-8010	800	100	592.000	800.000
SAS-L-HC-10010	1000	100	680.000	917.000

### Cover Equal / Unequal Cross

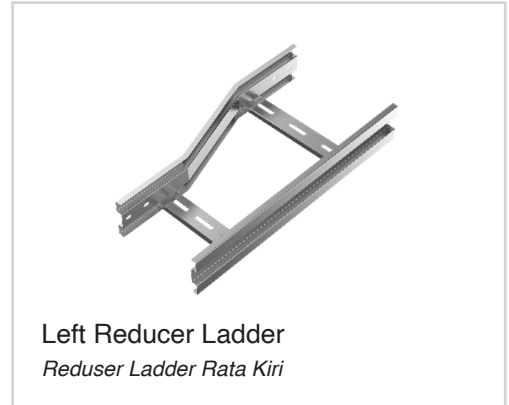
Type No	Width	Electro	Hotdip
SAS-HCC-10	100	283.000	349.000
SAS-HCC-15	150	327.000	408.000
SAS-HCC-20	200	371.000	473.000
SAS-HCC-30	300	474.000	613.000
SAS-HCC-40	400	586.000	770.000
SAS-HCC-50	500	710.000	944.000
SAS-HCC-60	600	847.000	1.134.000
SAS-HCC-80	800	1.155.000	1.563.000
SAS-HCC-100	1000	1.511.000	2.058.000

# Reducer LADDER

A cable tray section which Suitable for joining cable tray section of different width in the same plane

**Electro Galvanize & Hotdip Galvanize**

Unit : mm  
 Thickness : 1,8 mm  
 Standard Length : 600 mm  
 Material : Hot Rolled Mild Steel Sheet (SPHC)  
 (Other finishing, sizes & specification available on request)



Straight / Left / Right Reducer Ladder

Cover Reducer

Type No	Width	Height	Electro	Hotdip
SAS-SR-15-__-	150	100	119.000	167.000
SAS-SR-20-__-	200	100	124.000	174.000
SAS-SR-30-__-	300	100	132.000	185.000
SAS-SR-40-__-	400	100	142.000	199.000
SAS-SR-50-__-	500	100	152.000	212.000
SAS-SR-60-__-	600	100	160.000	226.000
SAS-SR-80-__-	800	100	202.000	272.000
SAS-SR-100-__-	1000	100	224.000	302.000

Type No	Width	Electro	Hotdip
SAS-SRC-15-__	150	65.000	90.000
SAS-SRC-20-__	200	83.000	114.000
SAS-SRC-30-__	300	118.000	165.000
SAS-SRC-40-__	400	154.000	214.000
SAS-SRC-50-__	500	189.000	262.000
SAS-SRC-60-__	600	224.000	313.000
SAS-SRC-80-__	800	296.000	412.000
SAS-SRC-100-__	1000	367.000	511.000

# Accessories Tray & Ladder

A cable tray connector is a device which joins cable tray by straight section and or fittings

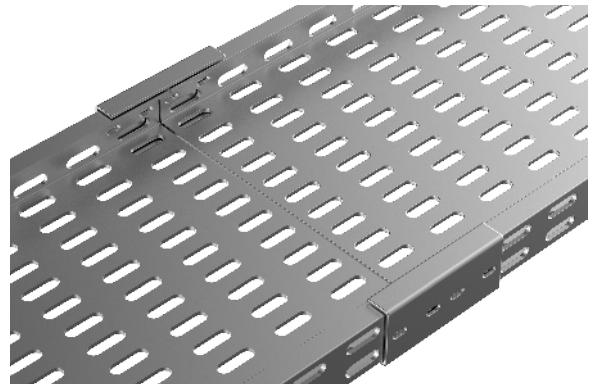
Unit : mm  
Thickness : 1,8 mm  
Material : Hot Rolled Mild Steel Sheet (SPHC)  
(Other finishing, sizes & specification available on request)

## Electro Galvanize & Hotdip Galvanize

Joining Tray type C



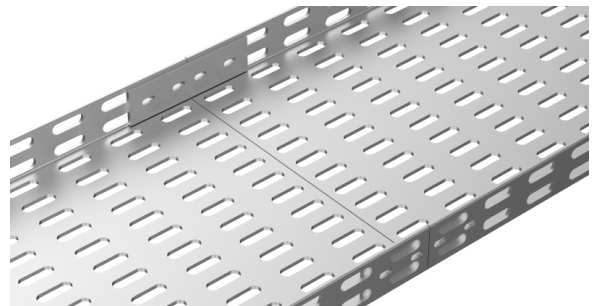
Electro Galvanized	
H 50mm	14.000
H 100mm	20.000
Hotdip Galvanized	
H 50mm	17.000
H 100mm	26.000



Joining Tray type U



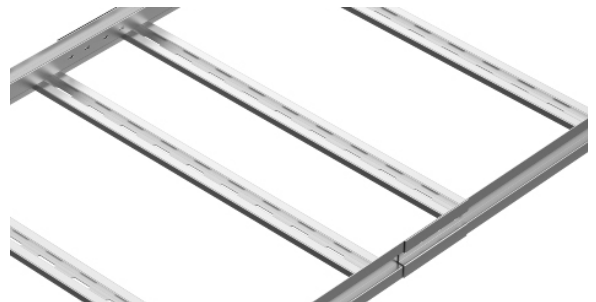
Electro Galvanized	
H 50mm	14.000
H 100mm	20.000
Hotdip Galvanized	
H 50mm	17.000
H 100mm	26.000



Joining Ladder type W



Electro Galvanized	
H 100mm	21.000
Hotdip Galvanized	
H100mm	29.000



Joining Ladder type U



Electro Galvanized	
H 50mm	14.000
H 100mm	20.000
Hotdip Galvanized	
H 50mm	17.000
H 100mm	26.000



# Accessories Tray & Ladder

A cable tray connector is a device which joins cable tray by straight section and or fittings

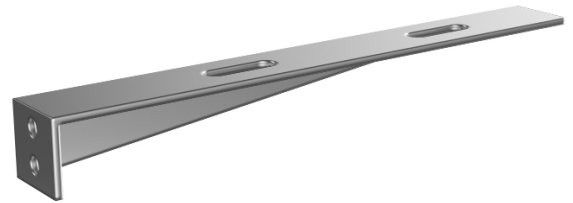
Unit : mm  
 Thickness : 1,8 mm  
 Material : Hot Rolled Mild Steel Sheet (SPHC)  
 (Other finishing, sizes & specification available on request)

## Electro Galvanize & Hotdip Galvanize

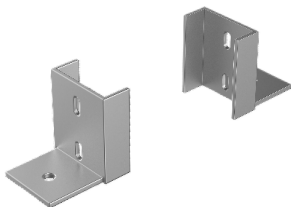
### Bracket (Material thickness: 2mm)

A cable tray bracket is a device which provides adequate means for supporting cable tray straight section or fittings

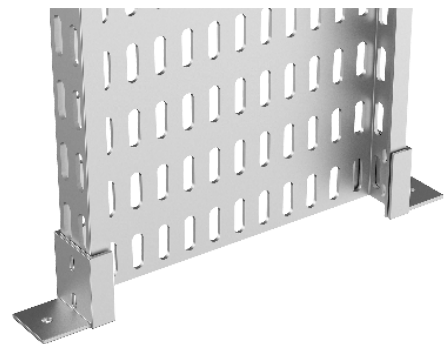
Type No	W	Electro	Hotdip
SAS-BR-05	50	32.000	42.000
SAS-BR-10	100	43.000	56.000
SAS-BR-15	150	54.000	71.000
SAS-BR-20	200	66.000	86.000
SAS-BR-25	250	77.000	101.000
SAS-BR-30	300	88.000	115.000
SAS-BR-40	400	110.000	145.000
SAS-BR-50	500	133.000	174.000
SAS-BR-60	600	136.000	178.000
SAS-BR-80	800	154.000	201.000
SAS-BR-100	1000	184.000	240.000



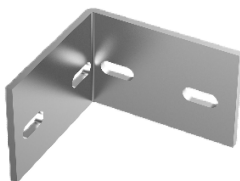
### Stand Plate (Material thickness: 2mm)



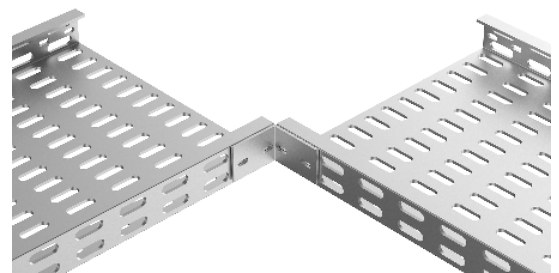
Electro Galvanized	
H 50mm	28.000
H 100mm	40.000
Hotdip Galvanized	
H 50mm	37.000
H 100mm	51.000



### Angle Connector



Electro Galvanized	
H 50mm	12.000
H 100mm	17.000
Hotdip Galvanized	
H 50mm	15.000
H 100mm	22.000



## Accessories Tray & Ladder

A cable tray connector is a device which joins cable tray by straight section and or fittings

Unit : mm  
Thickness : 1,8 mm  
Material : Hot Rolled Mild Steel Sheet (SPHC)  
(Other finishing, sizes & specification available on request)

### Electro Galvanize & Hotdip Galvanize

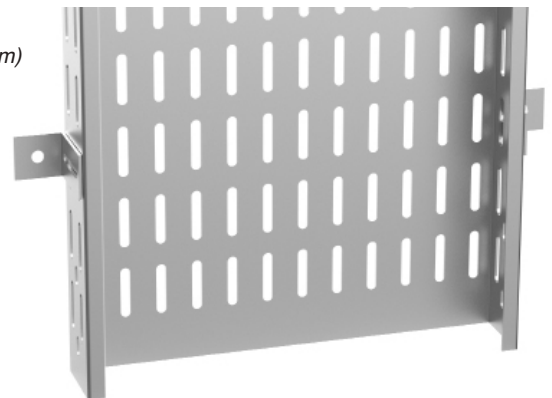
Bracket Mounting (Material thickness: 2mm)

Type No	W	Electro	Hotdip
SAS-BM-05	50	20.000	26.000
SAS-BM-10	100	23.000	29.000
SAS-BM-15	150	26.000	33.000
SAS-BM-20	200	34.000	43.000
SAS-BM-25	250	38.000	48.000
SAS-BM-30	300	40.000	51.000
SAS-BM-40	400	42.000	53.000
SAS-BM-50	500	45.000	57.000
SAS-BM-60	600	49.000	64.000



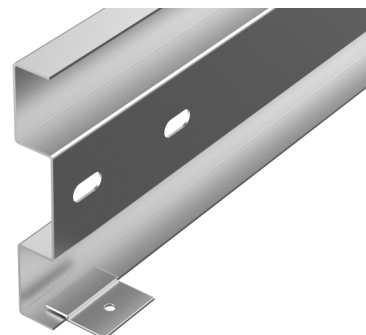
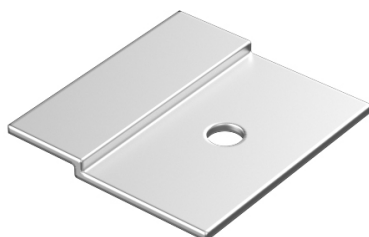
Wall Bracket (Material thickness: 2mm)

Electro Galvanized	
H 50mm	21.000
H 100mm	28.000
Hotdip Galvanized	
H 50mm	28.000
H 100mm	37.000



Hold Down Clip

Electro Galvanized	
	6.000
Hotdip Galvanized	
	9.000



# Accessories Tray & Ladder

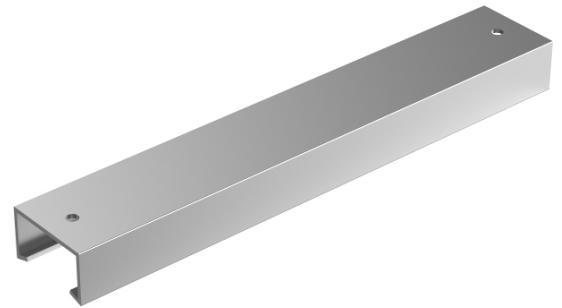
A cable tray connector is a device which joins cable tray by straight section and or fittings

Unit : mm  
Thickness : 1,8 mm  
Material : Hot Rolled Mild Steel Sheet (SPHC)  
(Other finishing, sizes & specification available on request)

## Electro Galvanize & Hotdip Galvanize

### Hanger Beam

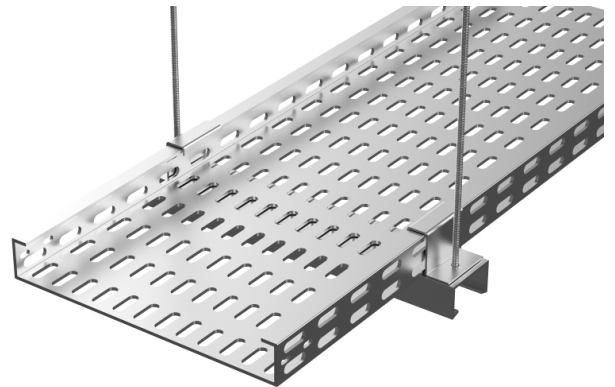
Type No	W	Electro	Hotdip
SAS-HB-05	50	13.000	17.000
SAS-HB-10	100	17.000	22.000
SAS-HB-15	150	23.000	29.000
SAS-HB-20	200	28.000	37.000
SAS-HB-25	250	34.000	43.000
SAS-HB-30	300	40.000	51.000
SAS-HB-40	400	45.000	57.000
SAS-HB-50	500	49.000	63.000
SAS-HB-60	600	62.000	79.000
SAS-HB-80	800	72.000	93.000
SAS-HB-100	1000	90.000	116.000



### Hanger Clevis

Electro Galvanized	
	24.000
Hotdip Galvanized	
	32.000

Clamp U	
Electro galvanized	6.500
Hotdip galvanized	7.500



### Hold Down Clamp

Longdrat	8 mm	8.000
Longdrat	10 mm	11.000
Dynaset	8 mm	2.250
Dynaset	10 mm	3.250
Dynabolt	8 mm	800
Dynabolt	10 mm	1.500

Electro Galvanized	
H 50mm	6.000
H 100mm	9.000
Hotdip Galvanized	
H 50mm	9.000
H 100mm	11.000



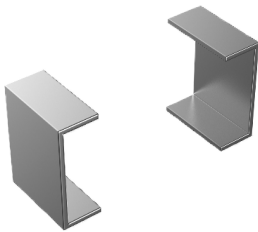
# Accessories Tray & Ladder

A cable tray connector is a device which joins cable tray by straight section and or fittings

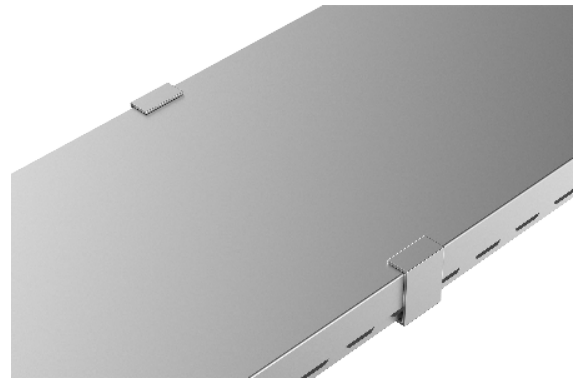
Unit : mm  
 Thickness : 1,8 mm  
 Material : Hot Rolled Mild Steel Sheet (SPHC)  
 (Other finishing, sizes & specification available on request)

## Electro Galvanize & Hotdip Galvanize

Cover Clip



Electro Galvanized	
H 50mm	17.000
H 100mm	20.000
Hotdip Galvanized	
H 50mm	22.000
H 100mm	26.000



Cover Clamp

Type No	W	H	Electro	Hotdip
SAS-CC-0505	50	50	23.000	29.000
SAS-CC-1005	100	50	26.000	32.000
SAS-CC-1505	150	50	28.000	37.000
SAS-CC-2005	200	50	34.000	43.000
SAS-CC-2505	250	50	40.000	51.000
SAS-CC-3005	300	50	42.000	53.000
SAS-CC-4005	400	50	45.000	57.000
SAS-CC-5005	500	50	48.000	62.000
SAS-CC-6005	600	50	49.000	64.000
SAS-CC-8005	800	50	55.000	70.000
SAS-CC-10005	1000	50	62.000	79.000



Type No	W	H	Electro	Hotdip
SAS-CC-1010	100	100	34.000	43.000
SAS-CC-1510	150	100	38.000	48.000
SAS-CC-2010	200	100	40.000	51.000
SAS-CC-2510	250	100	42.000	53.000
SAS-CC-3010	300	100	45.000	57.000
SAS-CC-4010	400	100	52.000	68.000
SAS-CC-5010	500	100	59.000	75.000
SAS-CC-6010	600	100	63.000	82.000
SAS-CC-8010	800	100	68.000	87.000
SAS-CC-10010	1000	100	75.000	95.000

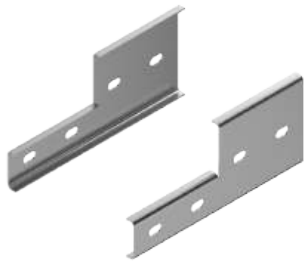


# Accessories Tray & Ladder

A cable tray connector is a device which joins cable tray by straight section and or fittings

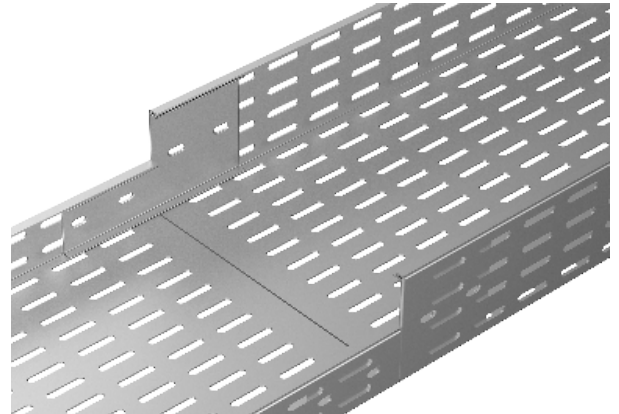
Unit : mm  
Thickness : 1,8 mm  
Material : Hot Rolled Mild Steel Sheet (SPHC)  
(Other finishing, sizes & specification available on request)

## Electro Galvanize & Hotdip Galvanize



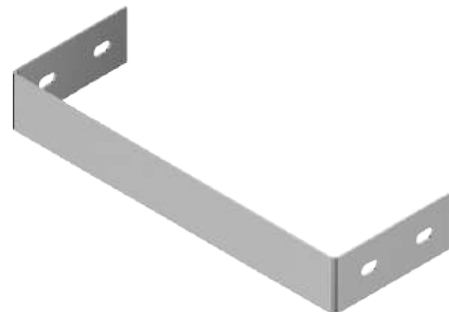
Joggled Plate

Electro Galvanized
56.000
Hotdip Galvanized
72.000



End Plate

Type No	W	H	Electro	Hotdip
SAS-EP-0505	50	50	20.000	26.000
SAS-EP-1005	100	50	23.000	29.000
SAS-EP-1505	150	50	26.000	33.000
SAS-EP-2005	200	50	28.000	36.000
SAS-EP-2505	250	50	30.000	38.000
SAS-EP-3005	300	50	31.000	40.000
SAS-EP-4005	400	50	34.000	43.000
SAS-EP-5005	500	50	38.000	48.000
SAS-EP-6005	600	50	42.000	53.000
SAS-EP-8005	800	50	49.000	63.000
SAS-EP-10005	1000	50	58.000	75.000



Type No	W	H	Electro	Hotdip
SAS-EP-1010	100	100	28.000	37.000
SAS-EP-1510	150	100	34.000	43.000
SAS-EP-2010	200	100	38.000	48.000
SAS-EP-2510	250	100	40.000	51.000
SAS-EP-3010	300	100	42.000	53.000
SAS-EP-4010	400	100	45.000	57.000
SAS-EP-5010	500	100	48.000	62.000
SAS-EP-6010	600	100	55.000	70.000
SAS-EP-8010	800	100	61.000	78.000
SAS-EP-10010	1000	100	72.000	93.000



# Accessories Tray & Ladder

A cable tray connector is a device which joins cable tray by straight section and or fittings

Unit : mm  
Thickness : 1,8 mm  
Material : Hot Rolled Mild Steel Sheet (SPHC)  
(Other finishing, sizes & specification available on request)

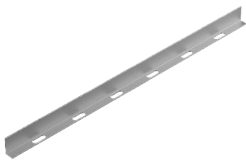
## Electro Galvanize & Hotdip Galvanize

### Raceway

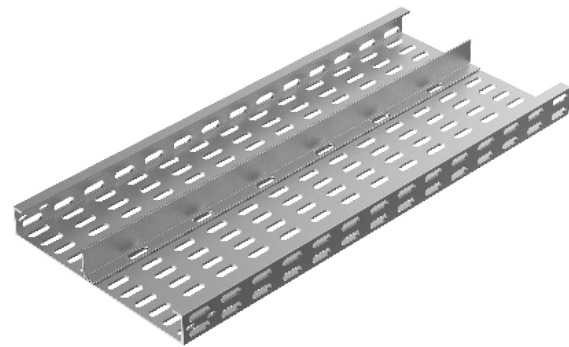
Electro Galvanized	
30mmx40mm	170.000
40mmx40mm	202.000
Hotdip Galvanized	
30mmx40mm	225.000
40mmx40mm	267.000



### Separator



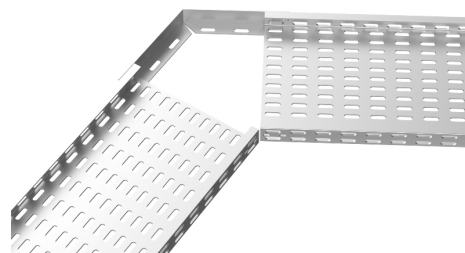
Electro Galvanized	
H 50mm	129.000
H 100mm	187.000
Hotdip Galvanized	
H 50mm	169.000
H 100mm	247.000



### Adjustable Splice Plate



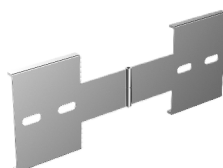
Electro Galvanized	
H 50mm	24.000
H 100mm	28.000
Hotdip Galvanized	
H 50mm	32.000
H 100mm	37.000



### Horizontal Hinge Fish Plate

Offered to adjust a tray run for changes in direction in a horizontal plane (right or left) that do not conform to standard horizontal fittings

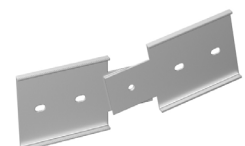
Electro Galvanized	
H 50mm	21.000
H 100mm	34.000
Hotdip Galvanized	
H 50mm	28.000
H 100mm	44.000



### Vertical Hinge Fish Plate

This plate provide for changes in elevation upward or downward that do not conform to standard vertical fittings

Electro Galvanized	
H 50mm	19.000
H 100mm	31.000
Hotdip Galvanized	
H 50mm	24.000
H 100mm	40.000



# Accessories Tray & Ladder

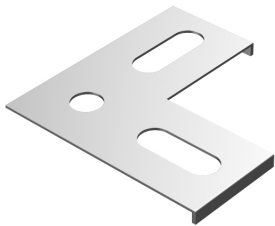
A cable tray connector is a device which joins cable tray by straight section and or fittings

Thickness : 1,8 mm

Material : Hot Rolled Mild Steel Sheet (SPHC)

(Other finishing, sizes & specification available on request)

## Electro Galvanize & Hotdip Galvanize



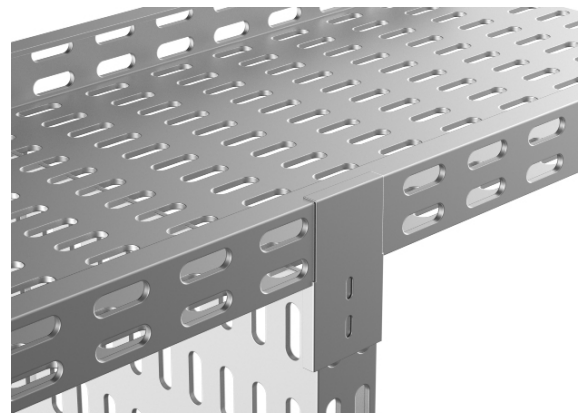
Horizontal Branch S.Plate

Electro Galvanized
25.000
Hotdip Galvanized
30.000



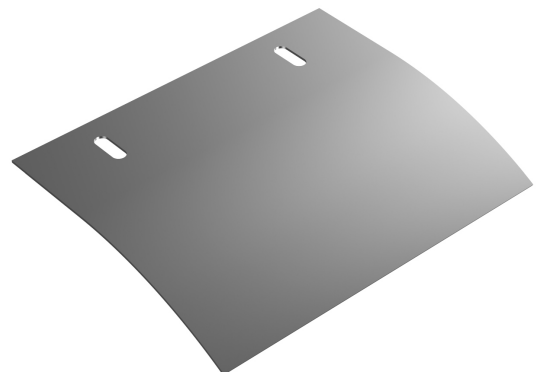
Vertical Branch S.Plate

Electro Galvanized
38.000
Hotdip Galvanized
48.000



## Drop Out

Type No	W	Electro	Hotdip
SAS-HB-05	50	17.000	22.000
SAS-HB-10	100	21.000	28.000
SAS-HB-15	150	33.000	41.000
SAS-HB-20	200	38.000	49.000
SAS-HB-25	250	55.000	71.000
SAS-HB-30	300	72.000	93.000
SAS-HB-40	400	90.000	117.000
SAS-HB-50	500	110.000	142.000
SAS-HB-60	600	138.000	178.000

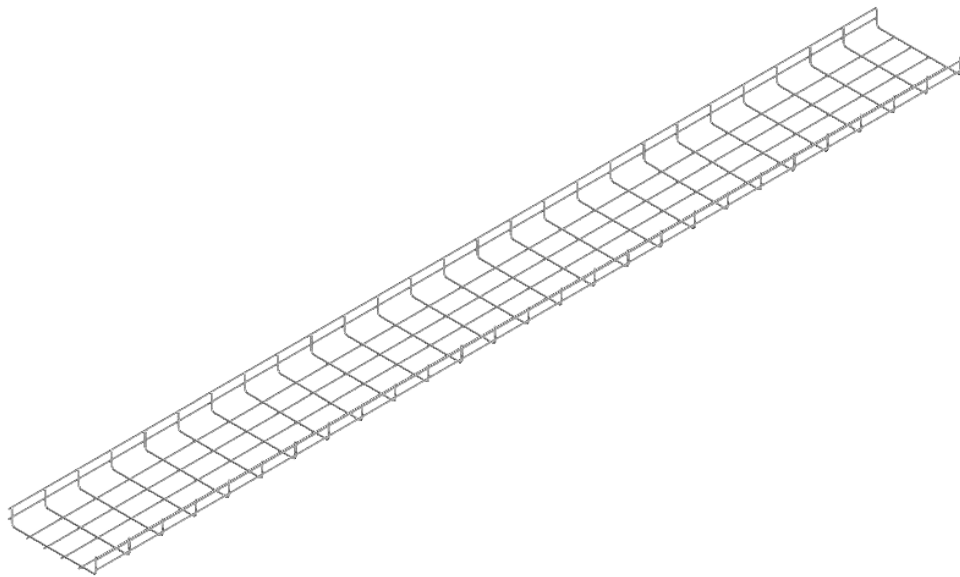


# Tray Wiremesh

Also known as Cable Cage or Tray BRC

**Electro Galvanize & Hotdip Galvanize**

Standard Length : 3.000 mm  
Wire Diameter : 5 mm  
Material : Low Carbon Steel



Width (mm)	Height (mm)	Electro	Hotdip
100	50	140.000	191.000
150	50	167.000	229.000
200	50	194.000	265.000
300	50	243.000	331.000
400	50	351.000	480.000
500	50	400.000	546.000
600	50	581.000	794.000
100	100	194.000	265.000
150	100	218.000	298.000
200	100	243.000	331.000
300	100	351.000	480.000
400	100	400.000	522.000
500	100	565.000	771.000
600	100	637.000	870.000

ACCESSORIES	
Joiner	7.000
Hanger Fastener	8.000

# Cable Duct PVC

Standard Length : 3.000 mm

Material : PVC

Color : White



Type No	Width	Height	Price List
SAS-CDP-1616	16	16	14.000
SAS-CDP-2516	25	16	22.000
SAS-CDP-2525	25	25	27.000
SAS-CDP-4025	40	25	32.500
SAS-CDP-4040	40	40	46.000
SAS-CDP-5050	50	50	70.000
SAS-CDP-6040	60	40	70.000
SAS-CDP-7575	75	75	108.000
SAS-CDP-8050	80	50	104.000
SAS-CDP-10050	100	50	127.000
SAS-CDP-10060	100	60	144.000
SAS-CDP-100100	100	100	269.000

# Strut Raceway *Standard*

*C-Shaped structural support for cable tray*

**Electro Galvanize & Hotdip Galvanize**

Unit : mm  
 Thickness : 2,5 mm  
 Standard Length : 3.000 mm  
 Material : Hot Rolled Mild Steel Sheet (SPHC)  
*(Other finishing, sizes & specification available on request)*



Strut Raceway

Strut Raceway Lubang

Type	Width	Height	Electro	Hotdip
Strut Raceway	41	41	347.000	475.000
Strut Raceway Lubang	41	41	347.000	475.000
Strut Raceway	41	31	278.000	383.000
Strut Raceway Lubang	41	31	278.000	383.000

# Accessories Strut Raceway *Standard*

Device which joins strut raceway straight section and or fittings

Unit : mm  
 Thickness : 6 mm  
 Material : Hot Rolled Mild Steel Sheet (SPHC)  
 (Other finishing, sizes & specification available on request)

## Electro Galvanize & Hotdip Galvanize



Posisi pemasangan spring nut

Strut Angle Konektor 52 x 52



Electro Galvanized
17.000
Hotdip Galvanized
23.000

Strut Angle Konektor 50 x 100



Electro Galvanized
25.000
Hotdip Galvanized
33.000

Strut Angle Konektor 100 x 100



Electro Galvanized
29.000
Hotdip Galvanized
38.000

Strut Bracket Siku 100 x 100



Electro Galvanized
84.000
Hotdip Galvanized
113.000

Strut Elbow



Electro Galvanized
67.000
Hotdip Galvanized
89.000

Strut Tee



Electro Galvanized
117.000
Hotdip Galvanized
156.000

Strut Cross



Electro Galvanized
172.000
Hotdip Galvanized
231.000

Strut Jointing



Electro Galvanized
83.000
Hotdip Galvanized
111.000

# Accessories Strut Raceway

*Standard*

Device which joins strut raceway straight section and or fittings

Unit : mm  
Thickness : 6 mm  
Material : Hot Rolled Mild Steel Sheet (SPHC)  
*(Other finishing, sizes & specification available on request)*

## Electro Galvanize & Hotdip Galvanize



Posisi pemasangan spring nut



Strut Plate 42 x 46 - 1

Electro Galvanized
9.000
Hotdip Galvanized
11.000



Strut Plate 42 x 92 - 2

Electro Galvanized
17.000
Hotdip Galvanized
23.000



Strut Plate 42 x 140 - 3

Electro Galvanized
21.000
Hotdip Galvanized
29.000



Strut Plate 42 x 184 - 4

Electro Galvanized
29.000
Hotdip Galvanized
38.000



Strut Plate 42 x 230 - 5

Electro Galvanized
33.000
Hotdip Galvanized
44.000



Strut L Plate 92 x 92

Electro Galvanized
33.000
Hotdip Galvanized
38.000



Strut T Plate 92 x 138

Electro Galvanized
43.000
Hotdip Galvanized
56.000



Strut T Plate 138 x 92

Electro Galvanized
43.000
Hotdip Galvanized
56.000

# Accessories Strut Raceway *Standard*

Device which joins strut raceway straight section and or fittings

Unit : mm  
 Thickness : 6 mm  
 Material : Hot Rolled Mild Steel Sheet (SPHC)  
 (Other finishing, sizes & specification available on request)

## Electro Galvanize & Hotdip Galvanize



Posisi pemasangan spring nut



Strut Double L Clamp

Electro Galvanized
67.000
Hotdip Galvanized
89.000



Strut P Clamp

Electro Galvanized
35.000
Hotdip Galvanized
39.000



Strut Omega Clamp

Electro Galvanized
50.000
Hotdip Galvanized
67.000



Strut Z Clamp

Electro Galvanized
29.000
Hotdip Galvanized
38.000



Strut W Clamp

Electro Galvanized
33.000
Hotdip Galvanized
40.000



Strut Stand Bracket Pararel

Electro Galvanized
133.000
Hotdip Galvanized
178.000



Strut Stand Bracket Diagonal

Electro Galvanized
133.000
Hotdip Galvanized
178.000



Spring Nut

8 mm	3.500
10 mm	4.250
12 mm	5.500

# Strut Raceway *Economy*

*C-Shaped structural support for cable tray*

**Electro Galvanize & Hotdip Galvanize**

Unit : mm  
 Thickness : 1,8 mm  
 Standard Length : 3.000 mm  
 Material : Hot Rolled Mild Steel Sheet (SPHC)  
*(Other finishing, sizes & specification available on request)*



Strut Raceway



Strut Raceway Lubang

Type	Width	Height	Electro	Hotdip
Strut Raceway	41	41	202.000	267.000
Strut Raceway Lubang	41	41	202.000	267.000
Strut Raceway	41	31	170.000	225.000
Strut Raceway Lubang	41	31	170.000	225.000

# Accessories Strut Raceway *Economy*

Device which joins strut raceway straight section and or fittings

Unit : mm  
Thickness : 3 mm  
Material : Hot Rolled Mild Steel Sheet (SPHC)  
(Other finishing, sizes & specification available on request)

## Electro Galvanize & Hotdip Galvanize



Posisi pemasangan spring nut



Strut Angle Konektor 52 x 52

Electro Galvanized
8.000
Hotdip Galvanized
13.000



Strut Angle Konektor 50 x 100

Electro Galvanized
13.000
Hotdip Galvanized
17.000



Strut Angle Konektor 100 x 100

Electro Galvanized
15.000
Hotdip Galvanized
20.000



Strut Bracket Siku 100 x 100

Electro Galvanized
42.000
Hotdip Galvanized
60.000



Strut Elbow

Electro Galvanized
33.000
Hotdip Galvanized
47.000



Strut Tee

Electro Galvanized
58.000
Hotdip Galvanized
82.000



Strut Cross

Electro Galvanized
86.000
Hotdip Galvanized
122.000



Strut Jointing

Electro Galvanized
42.000
Hotdip Galvanized
59.000

# Accessories Strut Raceway *Economy*

Device which joins strut raceway straight section and or fittings

Unit : mm  
Thickness : 3 mm  
Material : Hot Rolled Mild Steel Sheet (SPHC)  
(Other finishing, sizes & specification available on request)

## Electro Galvanize & Hotdip Galvanize



Posisi pemasangan spring nut



Strut Plate 42 x 46 - 1

Electro Galvanized
6.000
Hotdip Galvanized
7.000



Strut Plate 42 x 92 - 2

Electro Galvanized
8.000
Hotdip Galvanized
13.000



Strut Plate 42 x 140 - 3

Electro Galvanized
15.000
Hotdip Galvanized
20.000



Strut Plate 42 x 184 - 4

Electro Galvanized
15.000
Hotdip Galvanized
20.000



Strut Plate 42 x 230 - 5

Electro Galvanized
17.000
Hotdip Galvanized
23.000



Strut L Plate 92 x 92

Electro Galvanized
17.000
Hotdip Galvanized
20.000



Strut T Plate 92 x 138

Electro Galvanized
21.000
Hotdip Galvanized
30.000



Strut T Plate 138 x 92

Electro Galvanized
21.000
Hotdip Galvanized
30.000

# Accessories Strut Raceway *Economy*

Device which joins strut raceway straight section and or fittings

Unit : mm  
Thickness : 3 mm  
Material : Hot Rolled Mild Steel Sheet (SPHC)  
(Other finishing, sizes & specification available on request)

## Electro Galvanize & Hotdip Galvanize



Posisi pemasangan spring nut



Strut Double L Clamp

Electro Galvanized
33.000
Hotdip Galvanized
47.000



Strut P Clamp

Electro Galvanized
18.000
Hotdip Galvanized
21.000



Strut Omega Clamp

Electro Galvanized
25.000
Hotdip Galvanized
36.000



Strut Z Clamp

Electro Galvanized
15.000
Hotdip Galvanized
20.000



Strut W Clamp

Electro Galvanized
17.000
Hotdip Galvanized
21.000



Strut Stand Bracket Pararel

Electro Galvanized
67.000
Hotdip Galvanized
94.000



Strut Stand Bracket Diagonal

Electro Galvanized
67.000
Hotdip Galvanized
94.000



Spring Nut

8 mm	3.500
10 mm	4.250
12 mm	5.500